

# SMART DEADBOLT

## Installation & User Guide

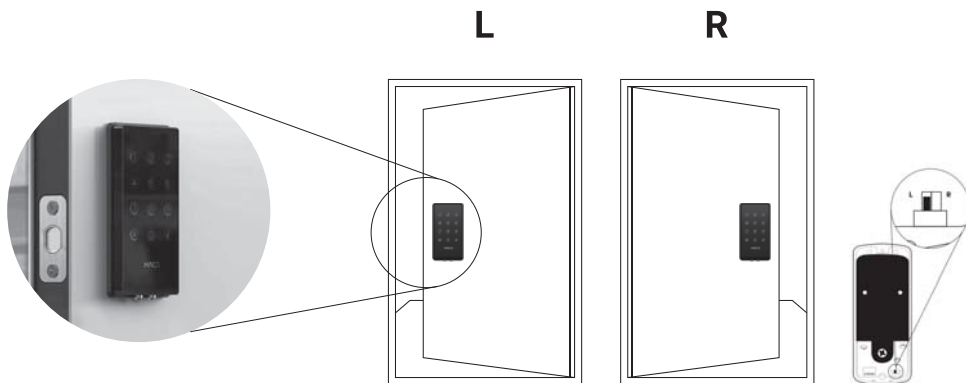


# 1. Prior to assembly, Status Verification

A) If you have already mounted a mechanical deadbolt, please remove and replace it with our smart deadbolt. The installation is drilling-free.

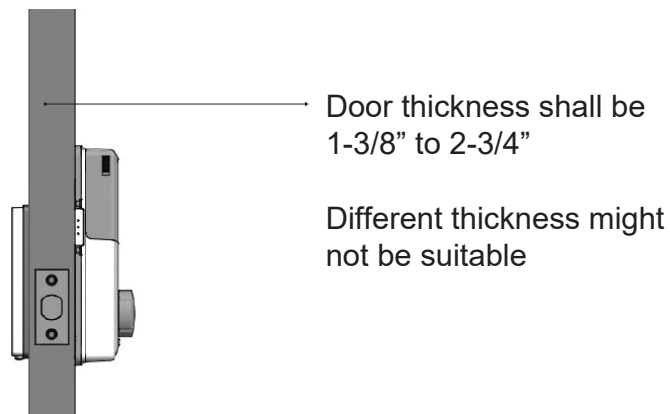


B) Check the door's opening direction: If the front panel is fastened on the left, turn the toggle button to the L, and if it is fastened on the right, turn it to the R.



(Seen from outside)

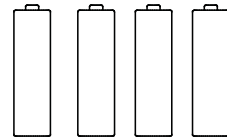
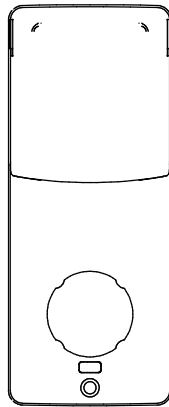
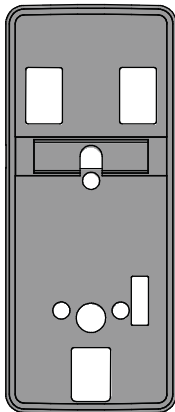
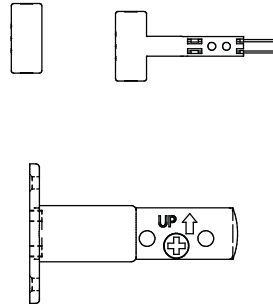
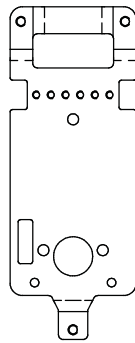
C) Kindly confirm the door's interior thickness.  
(Must be between 35mm to 70mm)



Door thickness shall be  
1-3/8" to 2-3/4"

Different thickness might  
not be suitable

## 2. Parts & Components Layout



4 AA Batteries  
(Not included)

5/16" (8mm)

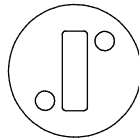


x2

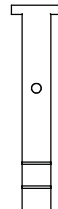
1" (25.4mm)



x4



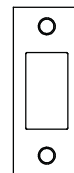
x1



x1



x1



x1



x1



x1

25/32" (20mm)



x1

1-1/2" (40mm)



x3

3/16" (5mm)

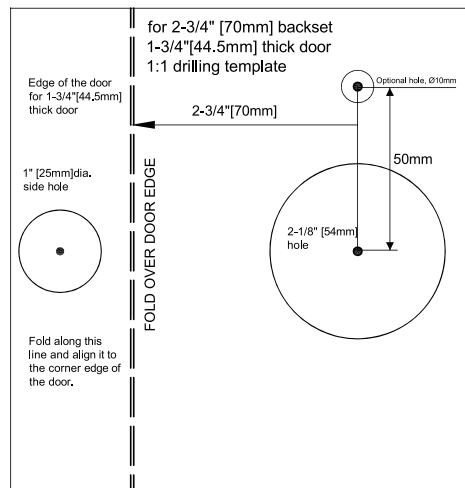


x2

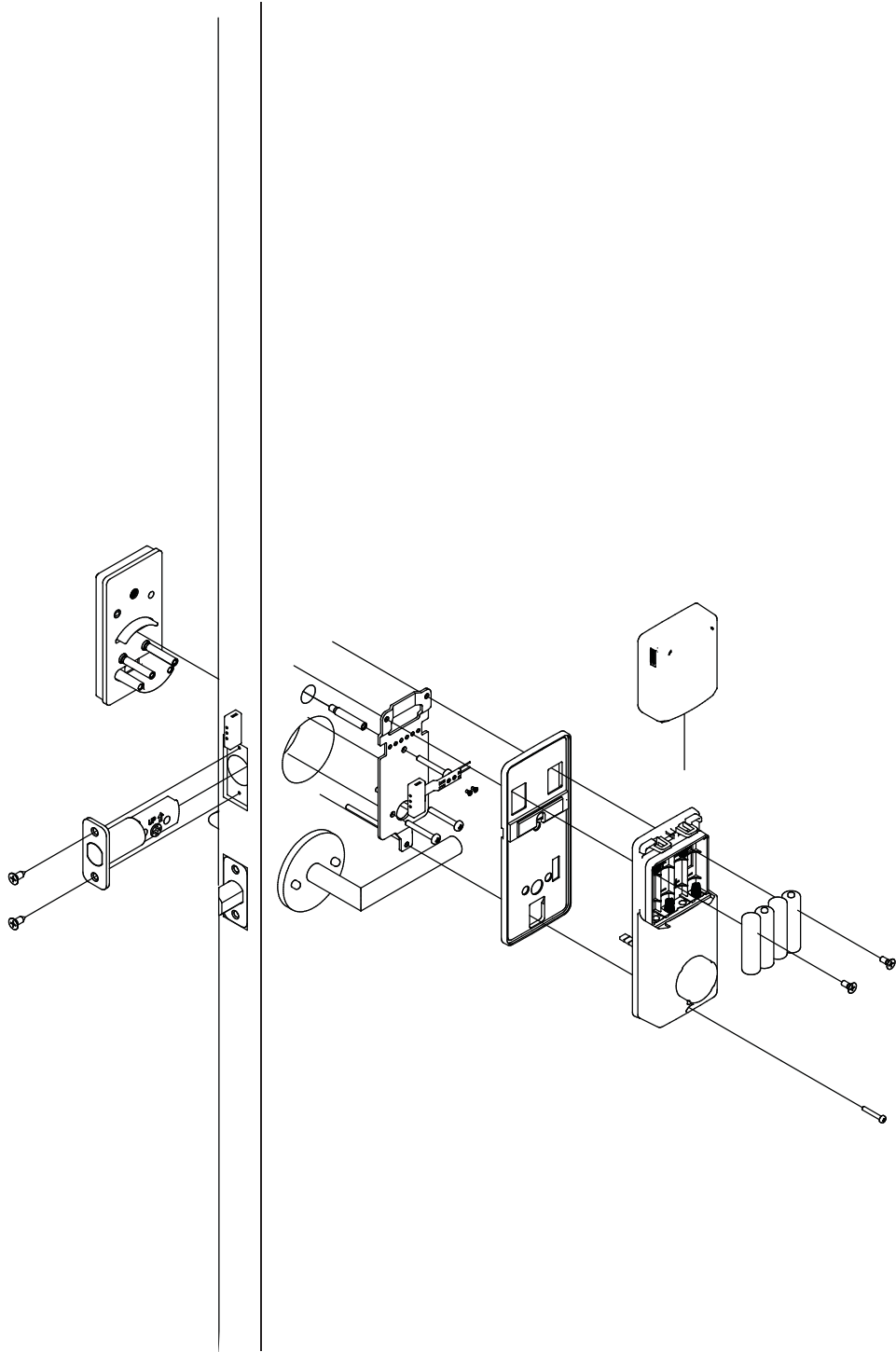
1/8" (3mm)



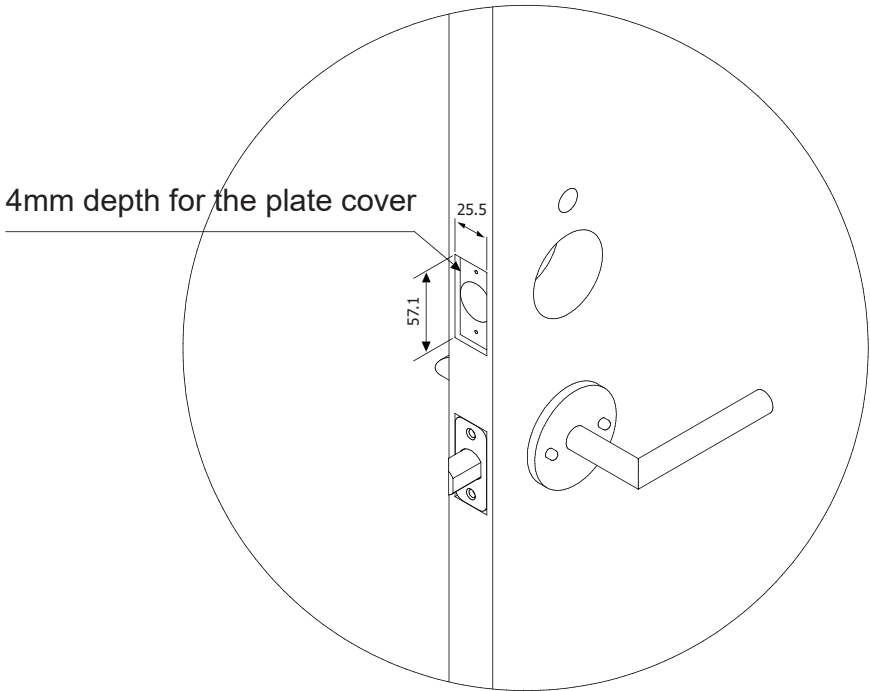
x2



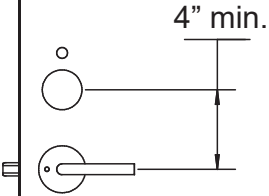
### 3. General Assembly



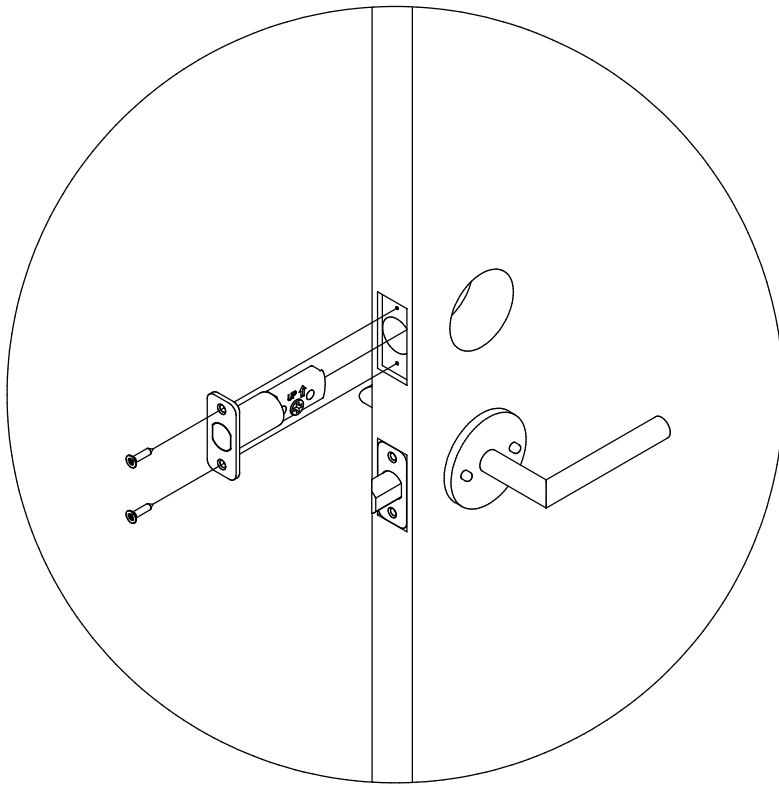
# 4. Set-Up



Leave an allowance of 4 inches between the handle and the drilled hole.



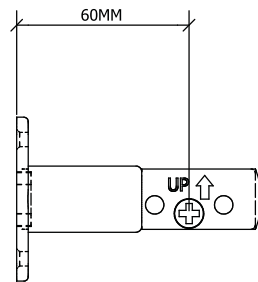
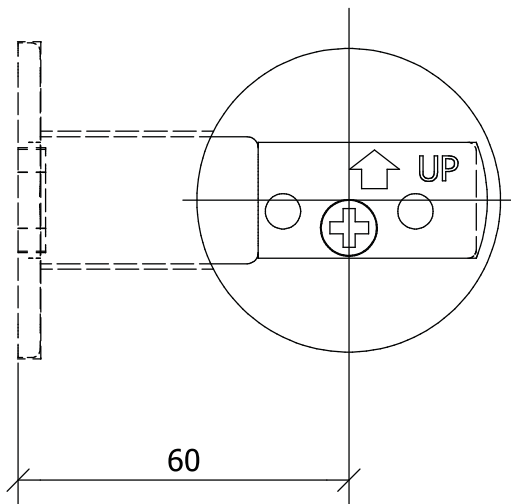
# 5. Insert the bolt



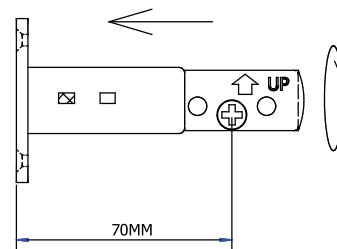
1"(25.4mm)



x2



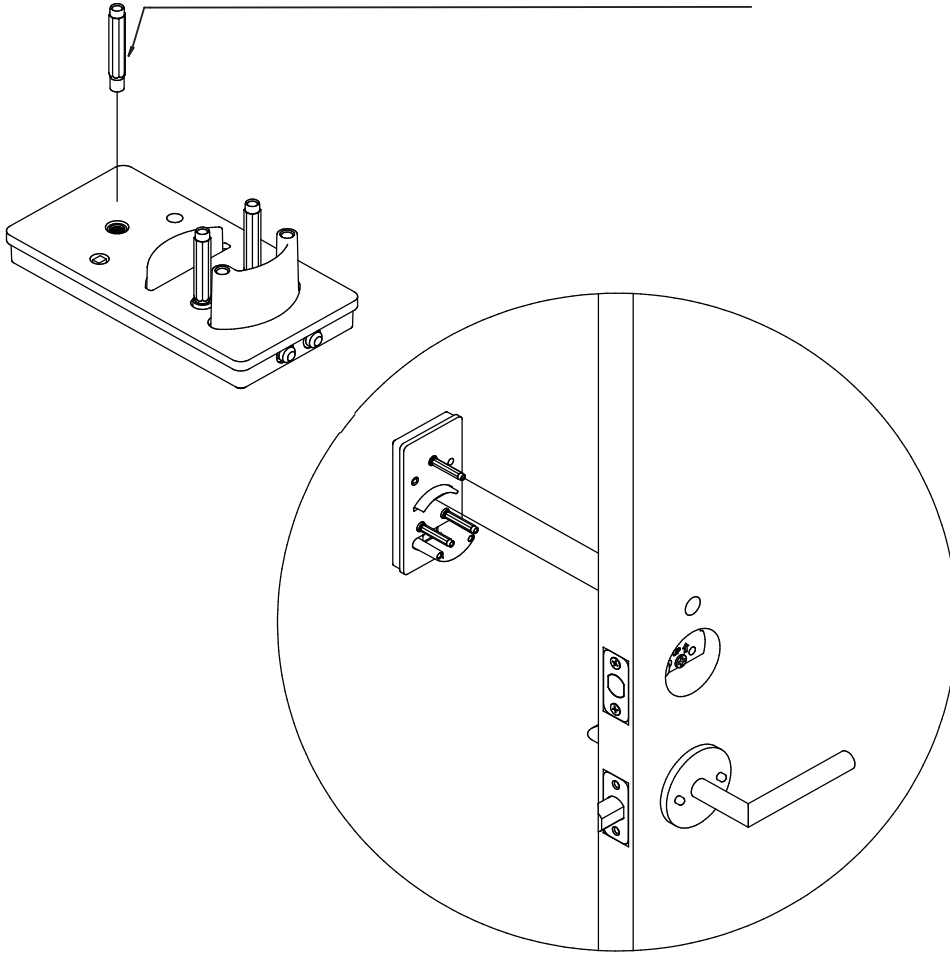
Adjust the length of the bolt if it's required.



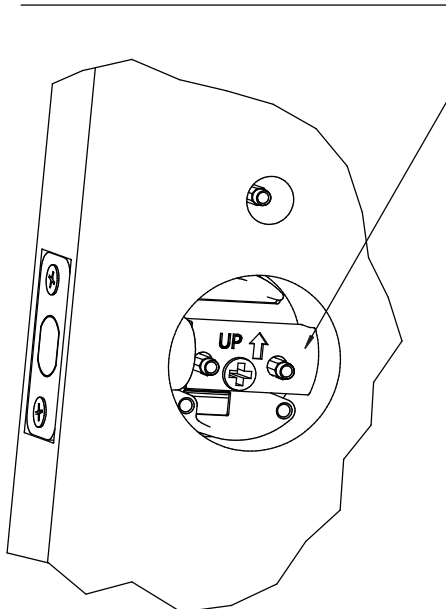
## 6. Touch-screen installation

Optional

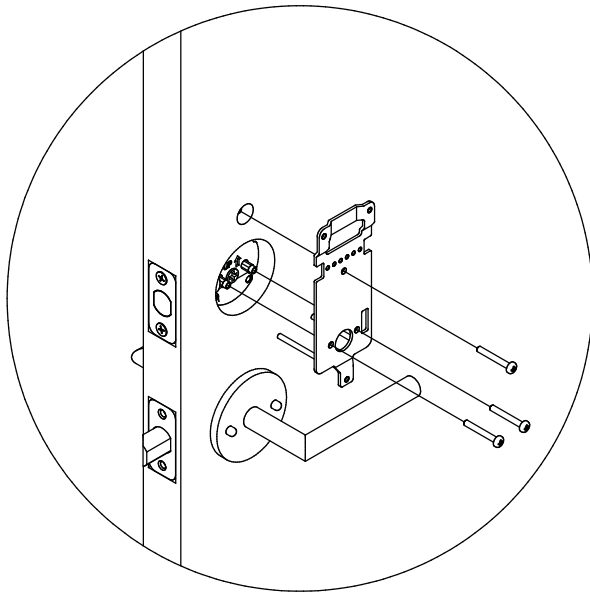
(Attach the bolt here if you have already drilled a hole. If not, it's not necessary.)



Make sure it fits through this hole in the correct position



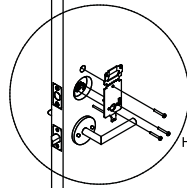
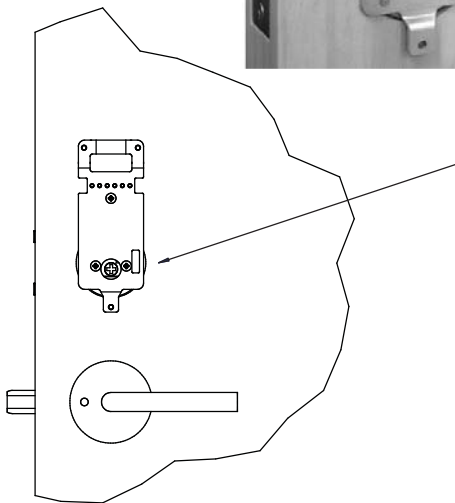
# 7. Back-side assembly



1-1/2"(40mm)

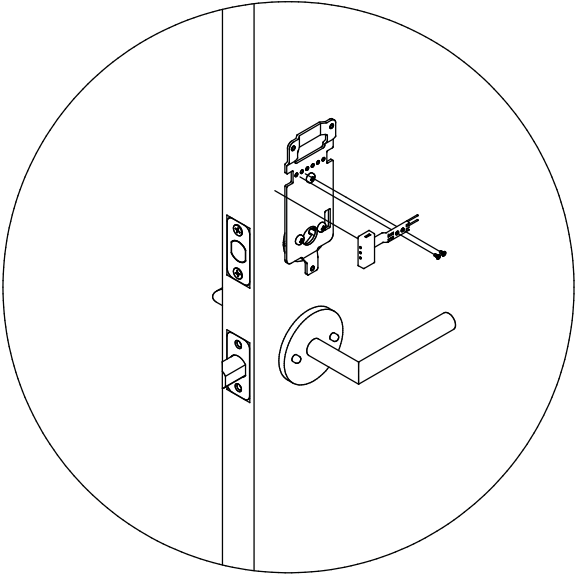


x3 (or x 2)

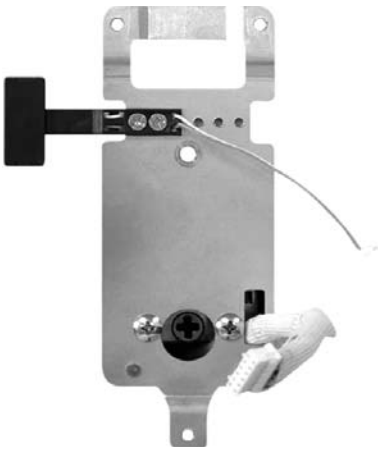
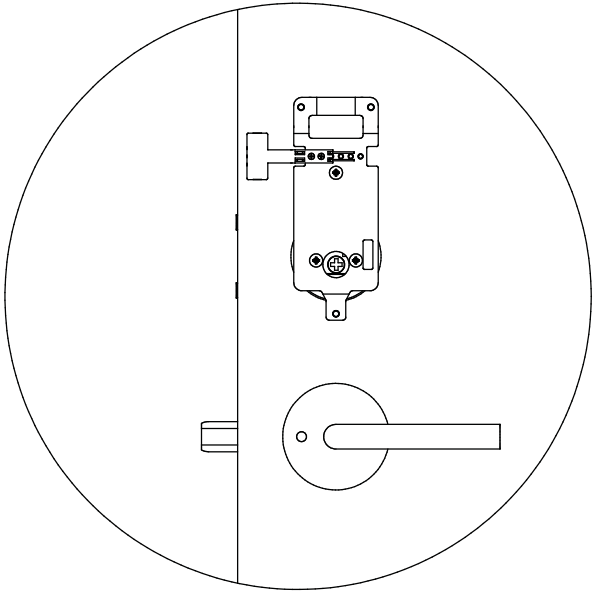




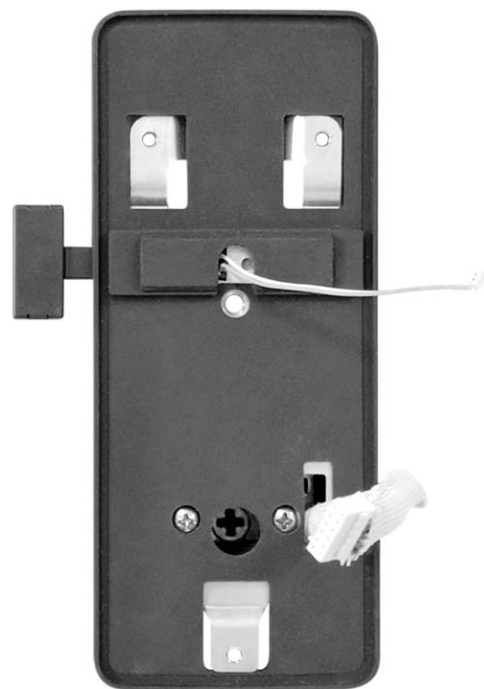
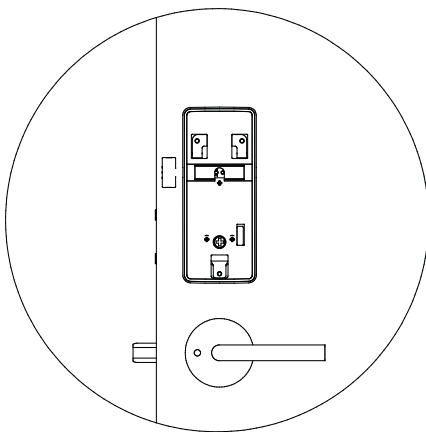
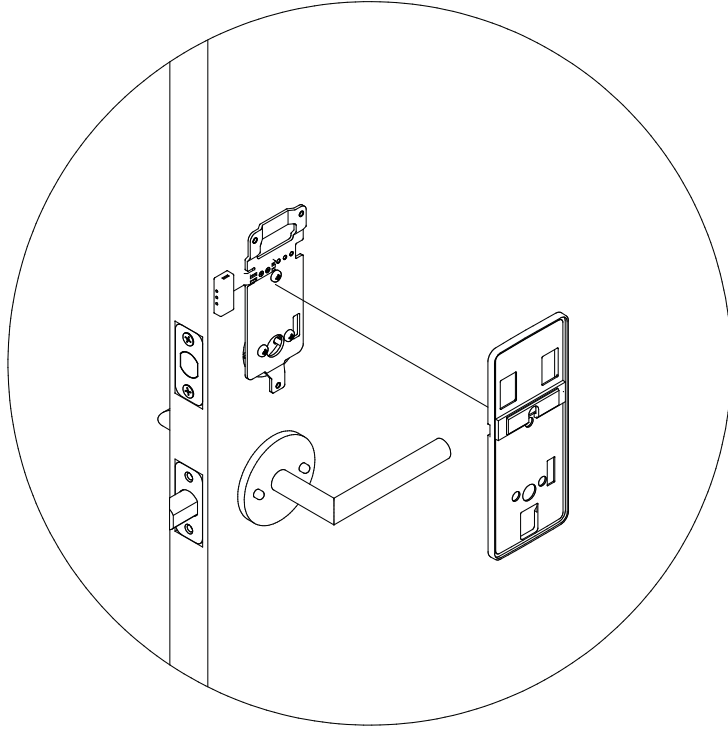
# 8. Sensor



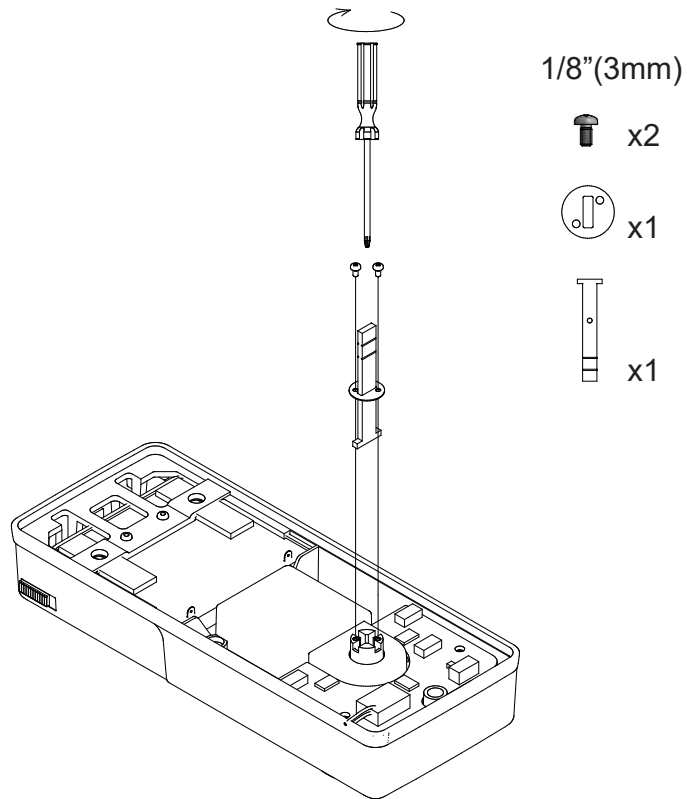
3/16"(5mm)



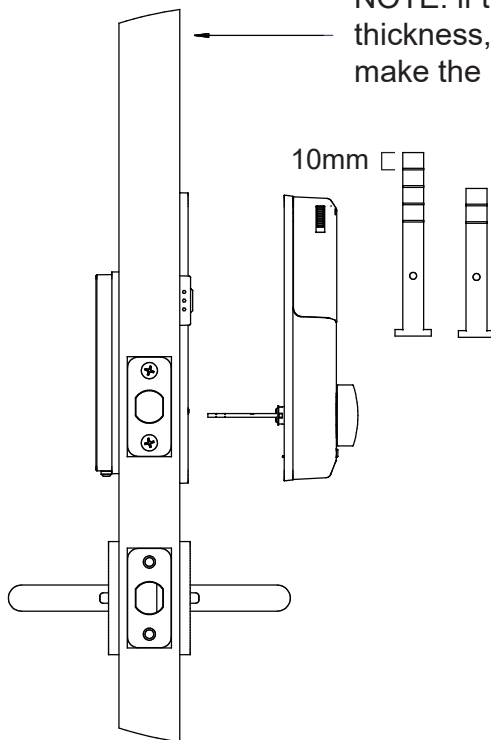
# 9. Rubber Pad



# 10. Access handle

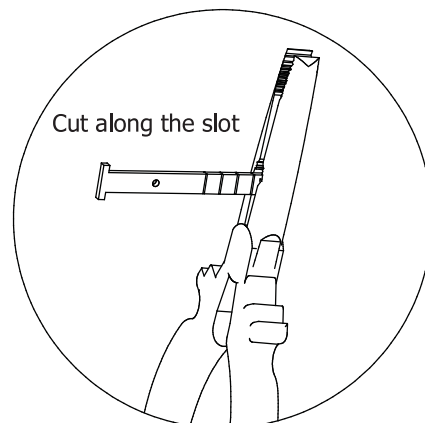


NOTE: if the Pin length is longer than the door thickness, you can cut 1 or more slot away to make the mounting properly.

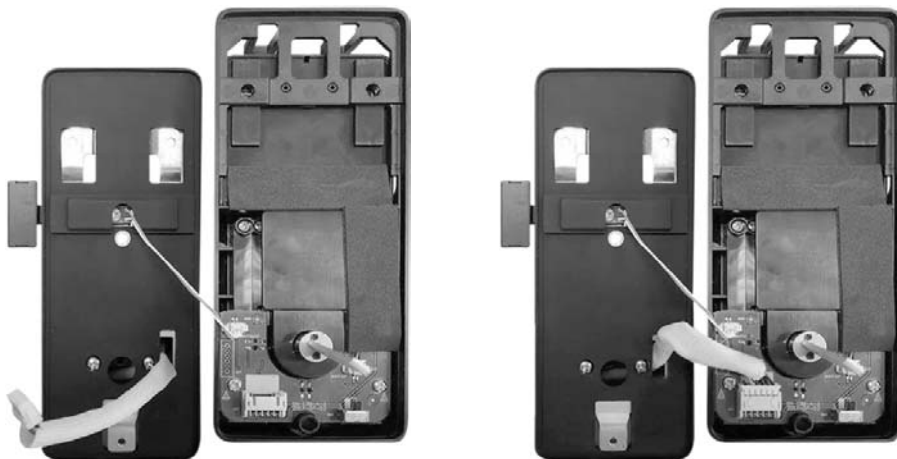
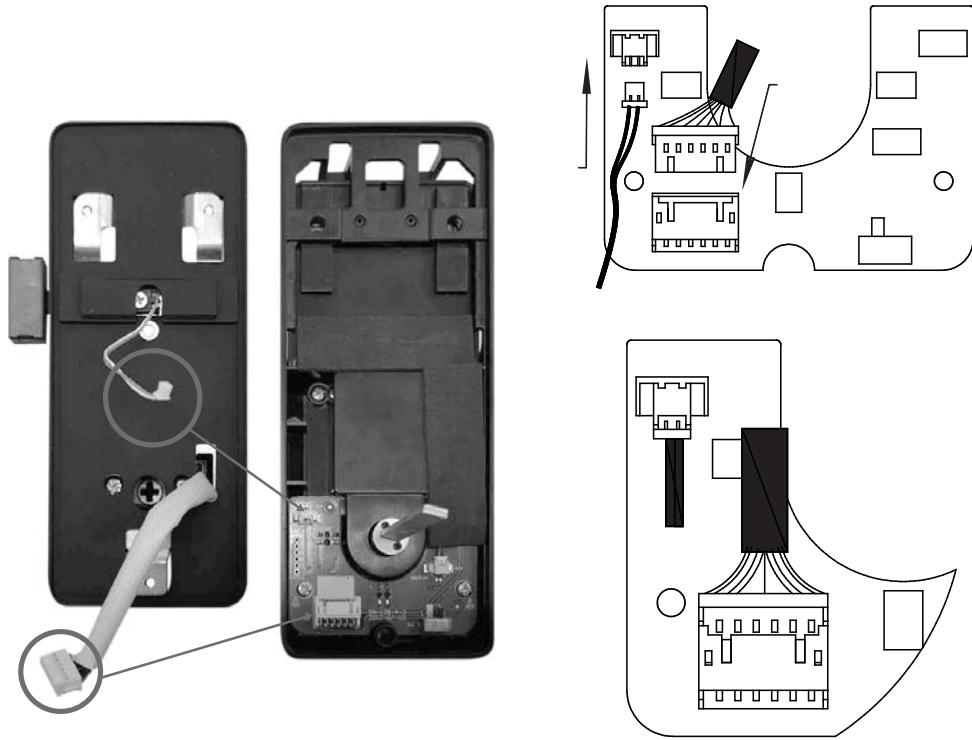


Reference:

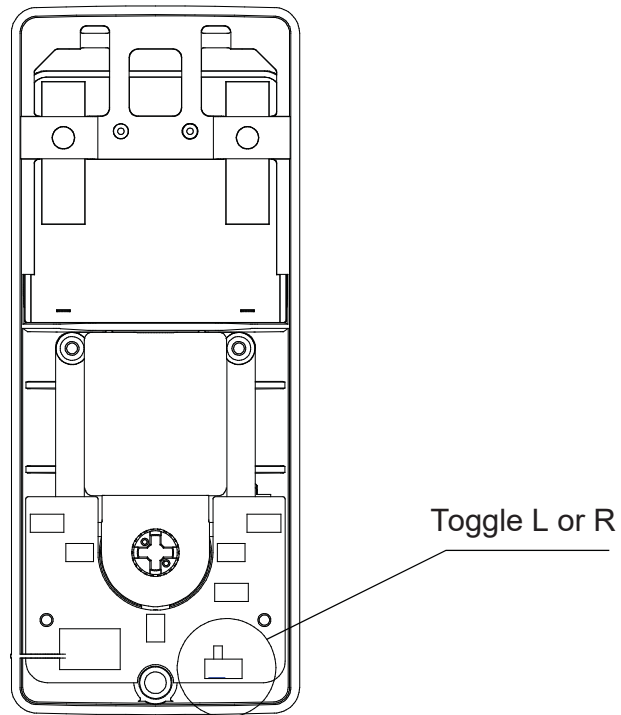
Door thickness (mm)	Slot numbers remain
70	5
65	4
55-60	2
45-50	1
35	0



## 11. Attach the touchscreen's wires to the right port

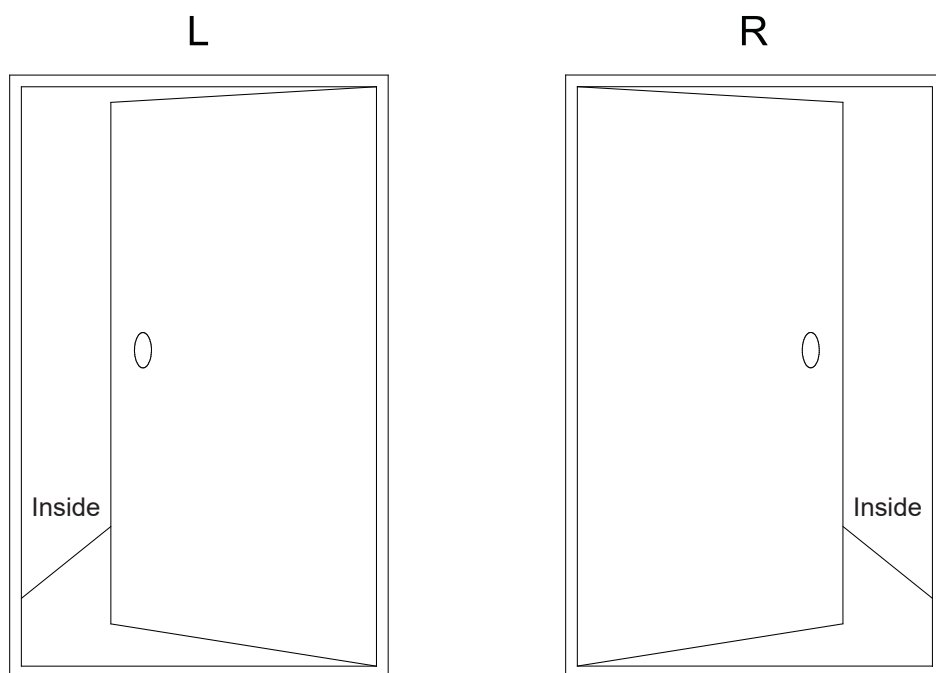


## 12. Set the toggle button to the right position



Push the toggle to the L/R position according to the door's opening direction. (As mentioned in step 1.B)

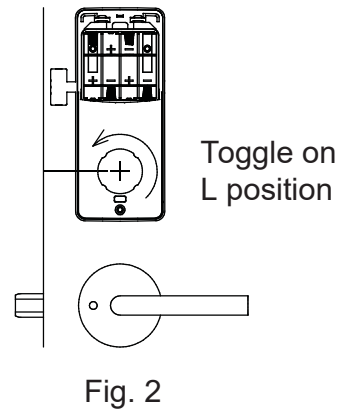
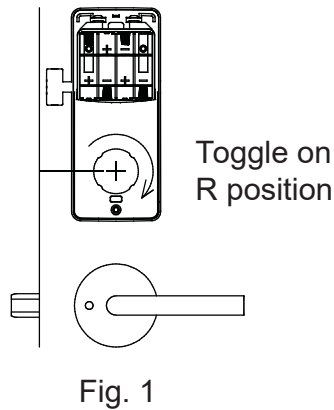
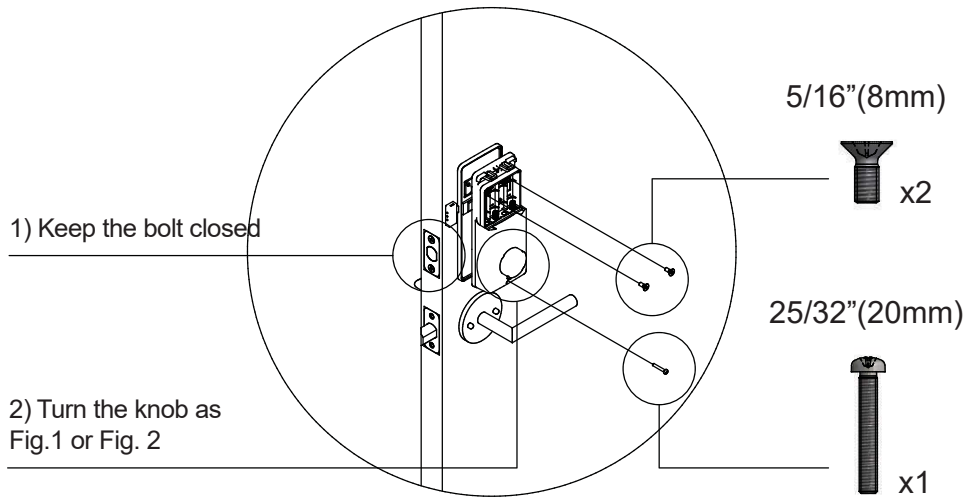
If the lock pad (front panel) is fastened on the left, turn the toggle to L, and to R if it is fastened on the right.



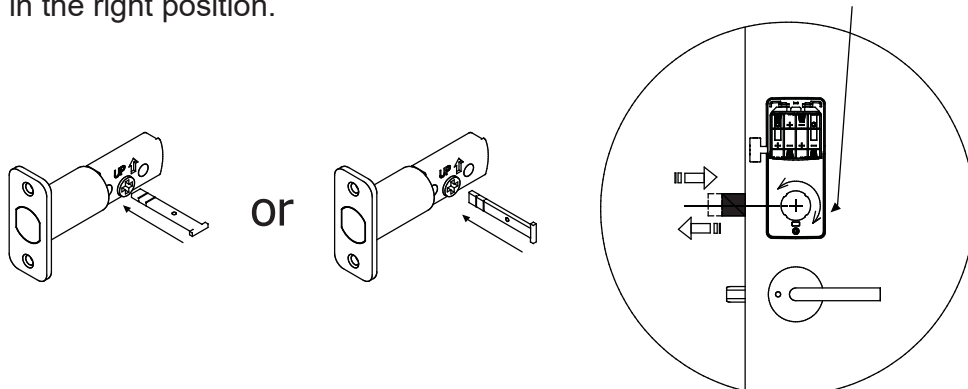
(Seen from outside)

# 13. Rear Lock

- 1) Keep the bolt closed
- 2) Turn the knob properly
  - If you turned the toggle to R in step 12, turn the knob clockwise to the end (Fig. 1)
  - If you turned the toggle to L in step 12, turn the knob counterclockwise to the end (Fig. 2)

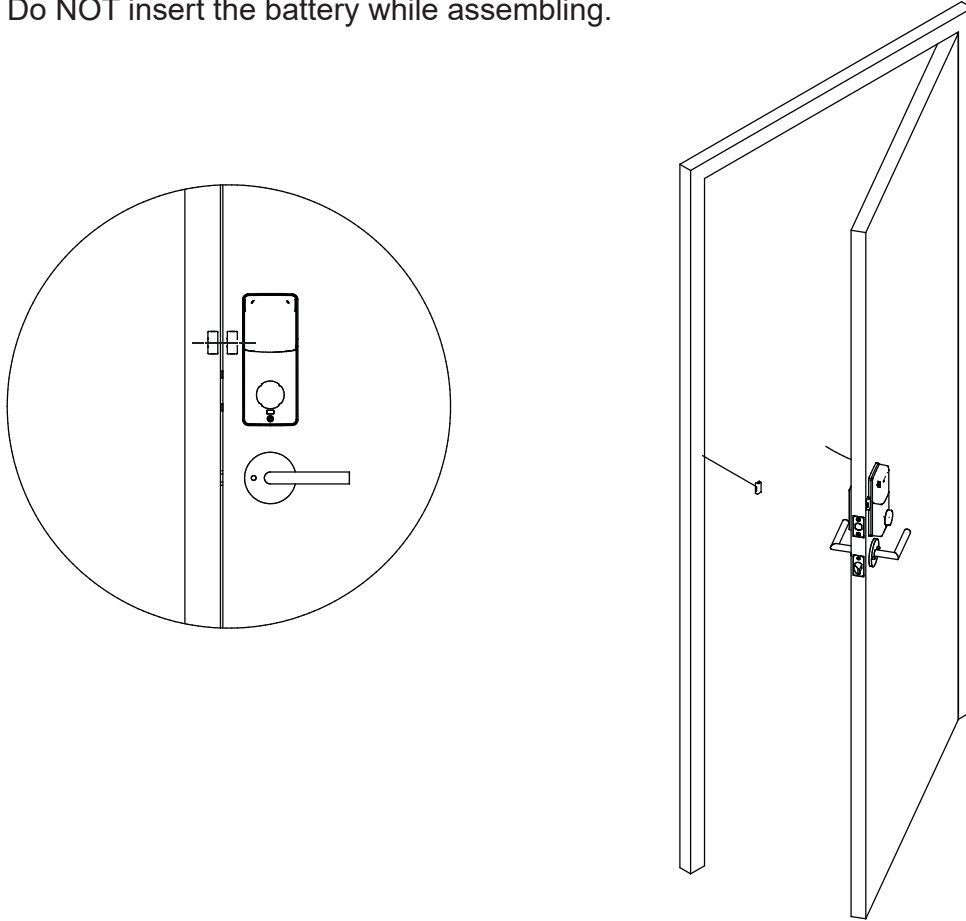


When assembled, thumb turn knob to test if it is in the right position. If you can NOT turn the knob properly, please pull the PIN out, turn 90° and re-insert and recheck. Once the bolt is moving properly, the knob is in the right position.



## 14. Sensor assembled onto frame

\*NOTE: The door will lock itself once sensor is activated.  
Do NOT insert the battery while assembling.

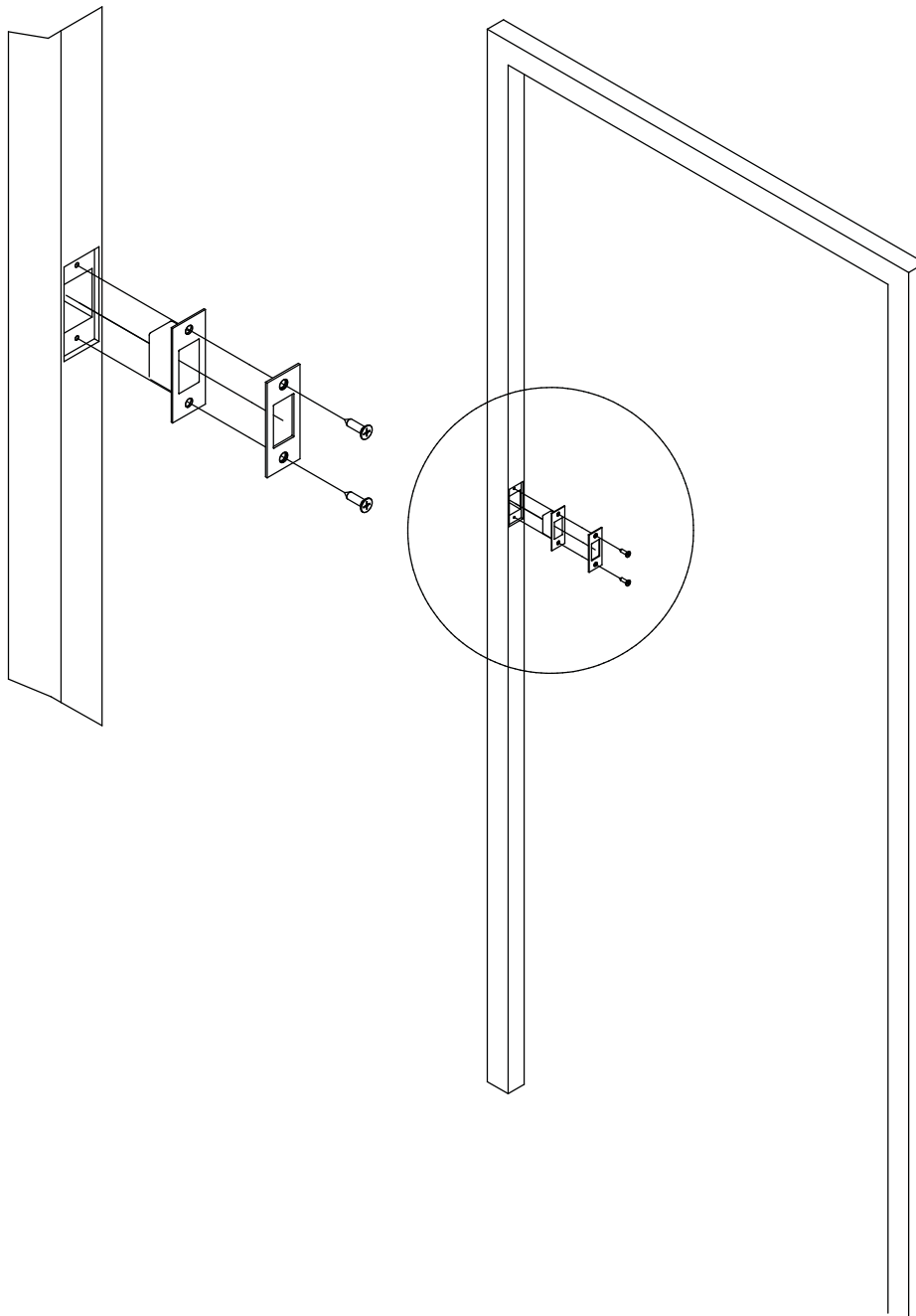
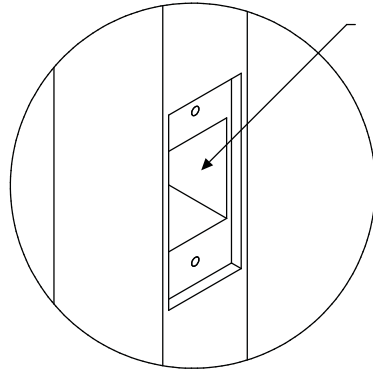


Keep the magnet and door sensor parallel and the gap between them as short as possible (less than 20mm).



# 15. Strike plate and cover onto frame

Drill the hole according to the component's size and bolt's position.

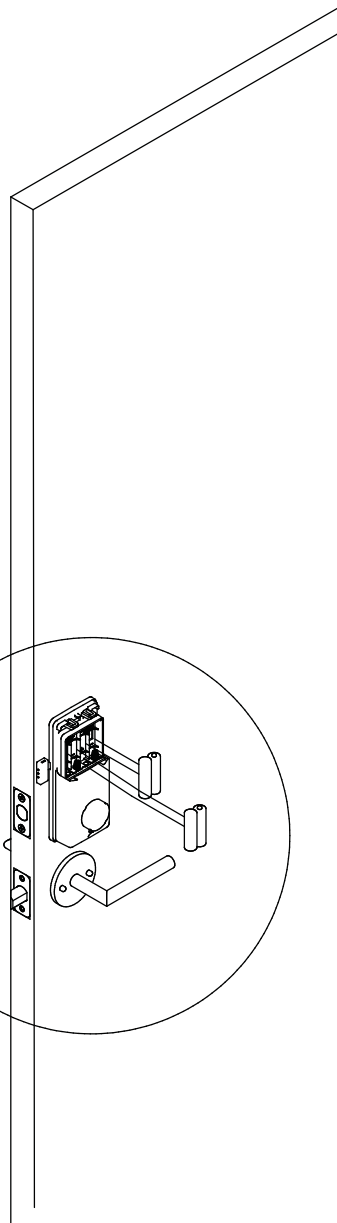
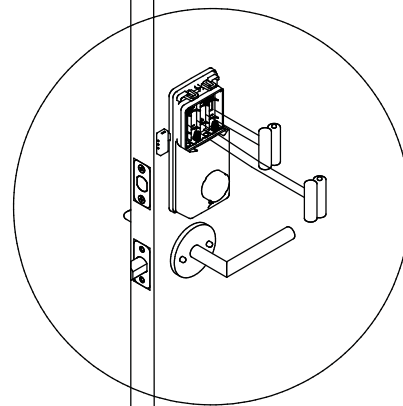
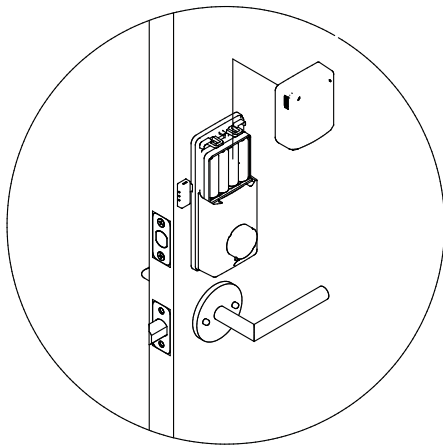
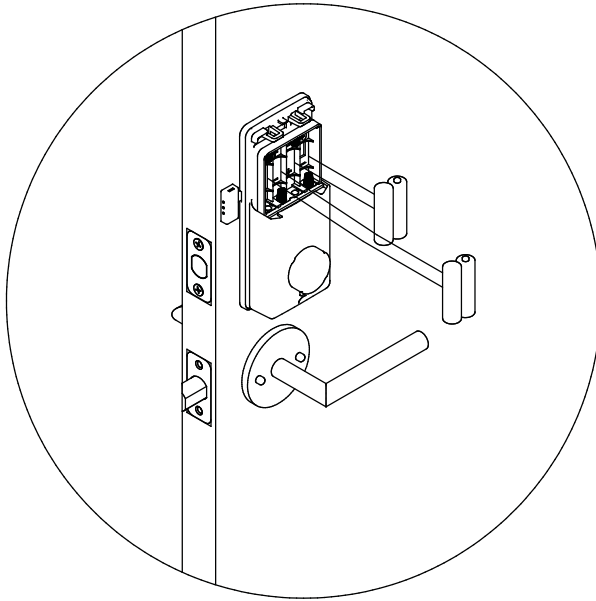




# 16. Batteries

\*NOTE: Do NOT close the door until the App is enabled

Install 4 AA batteries and assemble the battery cover



# FAQ

## 1. What's the original passcode of deadbolt?

The original passcode is 123456, and you can input 123456# on lock keypad to unlock it.

Note: Once the lock is added in Populife App on phone, the original passcode becomes invalid and you can get the new admin passcode in lock settings. If you delete the lock from the App, the passcode 123456 becomes valid again.

## 2. Why can't I pair the lock in App?

Please double-check that your phone's Bluetooth and Wi-Fi/4G are turned on. Touch the screen to activate the lock, then scan and add it in App.

## 3. Why is the lock screen unresponsive?

i) If you input the wrong passcode more than 5 times, the screen will be disabled for 5 minutes. Please wait patiently and verify you have the right passcode. Alternatively, you can enable it immediately by unlocking with Populife App via Bluetooth.

ii) Check if "Private mode" is enabled. If so, just disable it.

## 4. How can I enable and disable the "Private mode"?

If you want to stay alone or else, you can enable the "Private mode" by long-pressing the private button under the knob on the backside panel. And if you want to disable the mode, just thumb turn knob to open the lock.

## 5. Can I pair the lock on different phones?

One lock can only be paired with one account on phone via Bluetooth. If you want to add it on a different phone, you have to delete it in App from the old phone first and then add it again on another.

## 6. How far away can I be to control the lock effectively?

We suggest less than 9m. If there are obstacles between the phone and the lock, please step closer.

## 7. How can I share the lock with others like family members?

After you add a lock successfully on phone, you can share it by sending an ekey to another REGISTERED account in Populife App.

Also, you can generate a keypad passcode and share it with others via SMS or other social Apps.

# FAQ

8. Why can't I delete my existing lock from the App?

Make sure the lock is in the range of your phone's Bluetooth (better less than 9m), and then simply delete it from your App.

9. Can I control the lock via voice?

Populife deadbolt now supports voice control via Alexa. For more detail, please contact our customer assistant via info@macoware.com.

10. Why is the lock bolt turned to the wrong direction?

Kindly check the door's opening direction. Uninstall and adjust the lock appropriately according to the information provided in step 12 and 13.

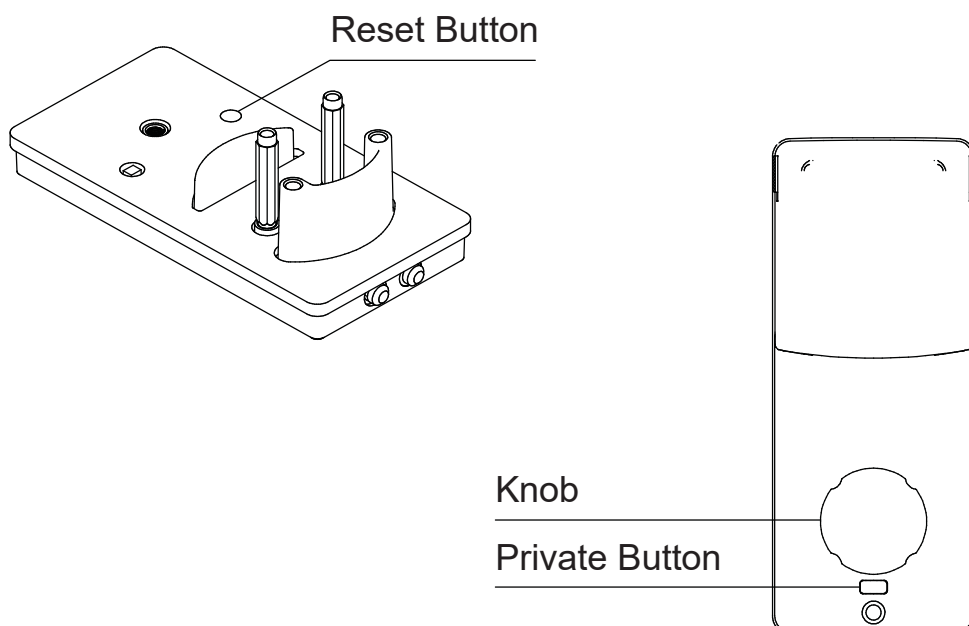
11. Why isn't the lock screen active?

Make sure the batteries are full of power and inserted properly.

12. How can I reset the lock physically?

The reset button is on the backside of the front panel, and you can reset the lock physically by long-pressing it until you hear a beep sound. Once reset, the lock must be added again to be controlled.

Note: To be more informative, please visit [www.macoware.com](http://www.macoware.com) or contact customer assistant via [info@macoware.com](mailto:info@macoware.com).



MACO